



**FURON**<sup>®</sup>  
Pure Performance

# Furon<sup>®</sup> Suckback Valve

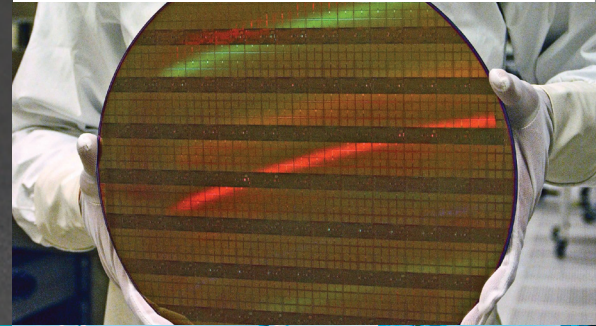
## Pneumatically Actuated, Molded (1/4" & 1/2" Orifice)

### Description

Furon Suckback Valves create a small vacuum when switching from open back to closed position, allowing it to suck back a predetermined amount of liquid and thereby preventing extra drops of liquid from being dispensed after valve closure. This provides an ideal valve for applications requiring a precise amount of liquid to be dispensed. Based on our time-proven UPM valve technology, Furon Suckback Valves offer superior reliability. On select models we offer our proprietary "Strength Corrosion Resistant (SCR)" spring combined with a modified PTFE diaphragm for compatibility with the harshest of process chemicals, including HF and HCl. An adjustment knob on top of the valve allows for easy adjustment of the desired suckback volume.

### Applications

- Precise dispensing of chemicals such as photoresist, adhesives, abrasive slurries, and other process critical liquid media
- Dispensing of harsh and aggressive chemistries
- Ozonated water applications (Select models)



### Features and Benefits

- All virgin PTFE/high purity molded PFA wetted flow path
- Eliminates dripping of media from nozzles after dispense cycle
- Adjustable suckback capacity permits precise metering of media
- Repeatability of suckback amount assures identical dispense volume for each cycle
- Suitable for use with ultra high-purity or highly corrosive media
- Innovative Furon SCR spring assures compatibility with HF and HCl
- Suitable for use in ozone applications (select models)

ASK AN ENGINEER

  
**SAINT-GOBAIN**

## Furon Suckback Valve

Part Number	Diaphragm	Spring	End Connection	Orifice (in)	Port Size (in)	A (Port to Port Dimension) (in)
SBVM-144	PTFE	Standard	FNPT	1/4"	1/4"	3.00 (76.20 mm)
SBVM-144-SCR-F6	Modified PTFE	SCR	FNPT	1/4"	1/4"	3.00 (76.20 mm)
SBVM-F44	PTFE	Standard	FlareGrip® II	1/4"	1/4"	4.30 (109.22 mm)
SBVM-F46	PTFE	Standard	FlareGrip® II	1/4"	3/8"	4.60 (116.84 mm)
SBVM-F44-SCR-F6	Modified PTFE	SCR	FlareGrip® II	1/4"	1/4"	4.30 (109.22 mm)
SBVM-F46-SCR-F6	Modified PTFE	SCR	FlareGrip® II	1/4"	3/8"	4.60 (116.84 mm)
SBVM-S30044-SCR-F6	Modified PTFE	SCR	Nippon Pillar Super 300®	1/4"	1/4"	4.70 (119.38 mm)
SBVM-S30046-SCR-F6	Modified PTFE	SCR	Nippon Pillar Super 300®	1/4"	3/8"	4.70 (119.38 mm)
SBVM-T44-SCR-F6	Modified PTFE	SCR	Tube end	1/4"	1/4"	3.88 (98.55 mm)
SBVM-T46-SCR-F6	Modified PTFE	SCR	Tube end	1/4"	3/8"	3.70 (93.98 mm)
SBVM-188	PTFE	Standard	FNPT	1/2"	1/2"	3.60 (94.44 mm)
SBVM-188-SCR-F6	Modified PTFE	SCR	FNPT	1/2"	1/2"	3.60 (94.44 mm)
SBVM-F88	PTFE	Standard	FlareGrip® II	1/2"	1/2"	5.60 (142.24 mm)
SBVM-F812	PTFE	Standard	FlareGrip® II	1/2"	3/4"	5.90 (149.86 mm)
SBVM-F88-SCR-F6	Modified PTFE	SCR	FlareGrip® II	1/2"	1/2"	5.60 (142.24 mm)
SBVM-F812-SCR-F6	Modified PTFE	SCR	FlareGrip® II	1/2"	3/4"	5.90 (149.86 mm)
SBVM-S30088-SCR-F6	Modified PTFE	SCR	Nippon Pillar Super 300®	1/2"	1/2"	5.50 (139.70 mm)
SBVM-S300812-SCR-F6	Modified PTFE	SCR	Nippon Pillar Super 300®	1/2"	3/4"	7.20 (182.88 mm)

## Operating Specifications

Operating Pressure	60 psig (4.1 bar)
Cv Flow Factor	0.8 - 3.2
Max. Operating Temperature	Ambient: 122°F (50°C) Media: 212°F (100°C)
Actuator Pressure (pneumatic version)	60 - 90 PSIG (4.1 - 6.2 bar)
Body	PFA
Diaphragm	PTFE or Modified PTFE (-F6 version)
Top Cap	Engineered Thermoplastics
Maximum Suckback Volume	100 µL
Maximum Suckback Height	4 feet (1.2 m)

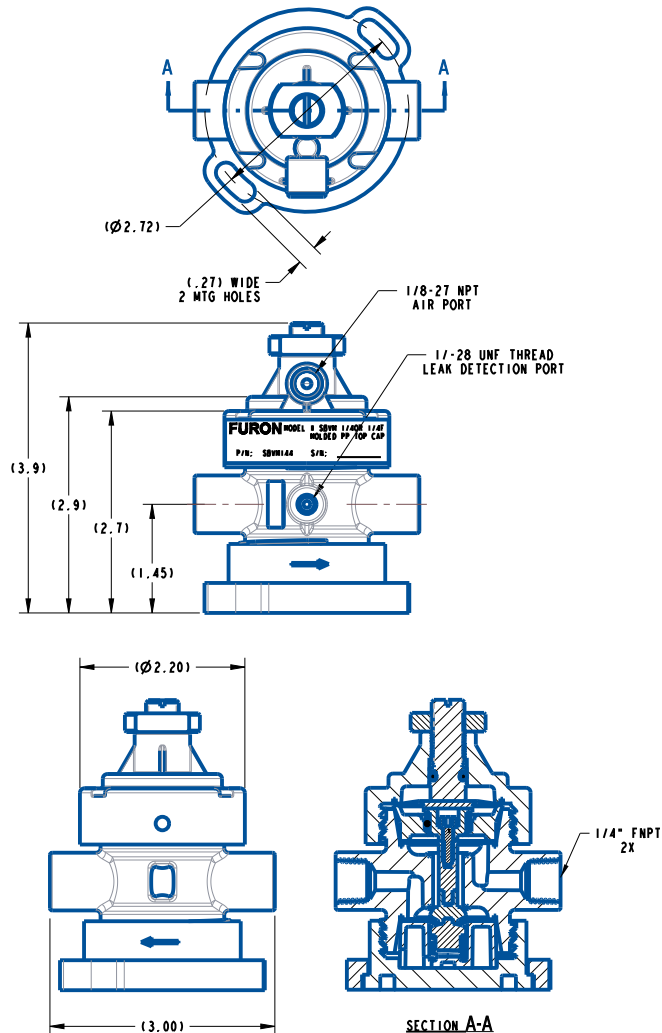
## Options

- Other end connection types available. [Please consult factory](#) for:
  - Sanitary flange
  - Nippon Pillar Super 300®
  - Others not listed
- PFA Flare nuts (add -3)
- Ozone compatible version (add -Z)

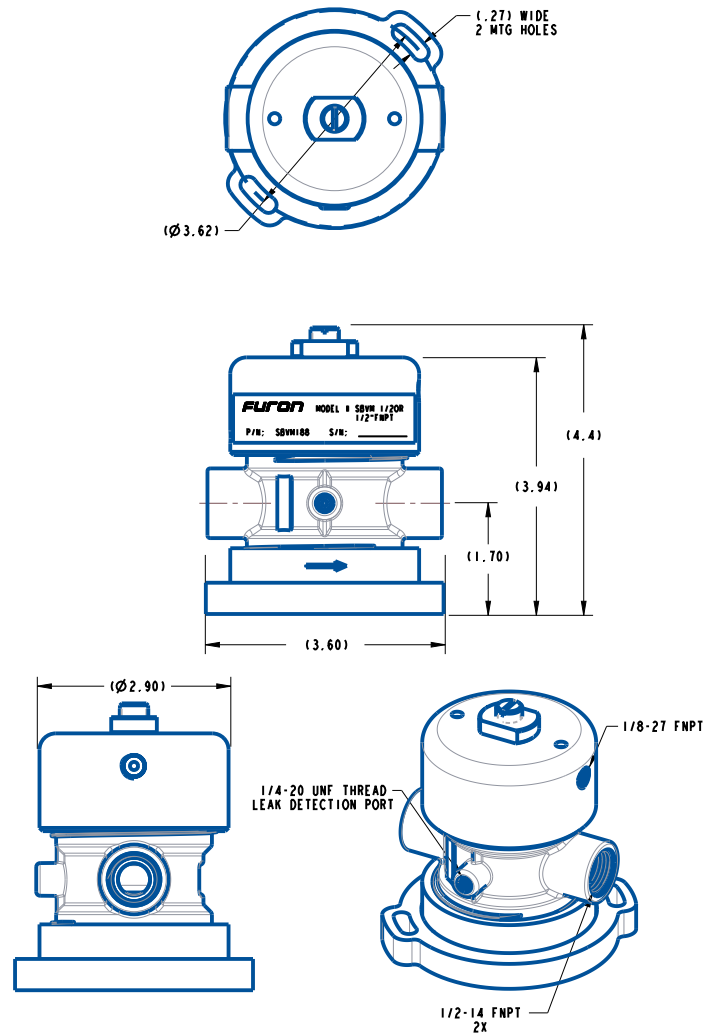
## Furon Suckback Valve

Drawings

### SBVM 1/4" Orifice



### SBVM 1/2" Orifice



**Saint-Gobain Performance Plastics**  
 7301 Orangewood Avenue  
 Garden Grove, CA 92841  
 1-800-833-5661  
 Tel: (714) 630-5818  
 Fax: (714) 688-2614

**Saint-Gobain Performance Plastics - France**  
 56, Chemin des Berthilliers  
 71850 Charnay-lès-Mâcon, France  
 Tel: (33) 3-85-20-27-00  
 Fax: (33) 3-85-29-18-48  
**www.furon.com**

**NOTE:** The data and details given in this document are correct and up to date. This document is intended to provide information about the product and possible applications. This document is not the product specification and does not provide specific features, nor does it guarantee product performance in specific applications. Saint-Gobain cannot anticipate or control the conditions of the field and for this reason strongly recommends that practical tests are conducted to ensure that the product meets the requirements of a specific application.

Furon®, FlareGrip® and FuseBond™ are registered trademarks of Saint-Gobain Performance Plastics. Nippon Pillar Super 300® is a registered trademark of Nippon Pillar Packing Co.

**IMPORTANT:** It is the user's responsibility to ensure the suitability and safety of Saint-Gobain Performance Plastics products for all intended uses and that the components to be used comply with all applicable regulatory requirements. Saint-Gobain Performance Plastics assumes no responsibility for any product failures that occur due to misuse arising out of the design, fabrication or application of the products into which they are incorporated.

**WARRANTY:** If Product is Purchased by Customer for use: Saint-Gobain warrants that the Product Specifications is for a period of 18 months, provided Customer can establish that the Product did not conform to Specification at time of delivery and the non-conformance of the Product to Specification has not been caused as a result of any action or inaction by the Customer or Customer's storage conditions. If Product is Purchased by Distributor or Reseller: Saint-Gobain warrants that the Product Specifications for a period of 18 months, provided Distributor can establish that the Product did not conform to Specification at time of delivery and the non-conformance of the Product to Specification has not been caused as a result of any action or inaction by the Distributor/Reseller or its or because of storage conditions under which the Product is stored at Distributor/Reseller's and/or Customer/End User's storage facility. THIS IS THE EXCLUSIVE WARRANTY AND IS EXPRESSLY IN LIEU OF ANY AND ALL OTHER OBLIGATIONS, GUARANTEES, WARRANTIES AND REPRESENTATIONS. SAINT-GOBAIN PERFORMANCE PLASTICS DISCLAIMS ALL IMPLIED WARRANTIES OF MERCHANTABILITY AND FITNESS FOR A PARTICULAR PURPOSE.